

# Preparation unit—Filter & regulator



## GFR Series



### Specification

Model	GFR200 -06	GFR200 -08	GFR300 -08	GFR300 -10	GFR300 -15	GFR400 -10	GFR400 -15	GFR600 -20	GFR600 -25
Fluid	Air								
Port size	1/8"	1/4"	1/4"	3/8"	1/2"	3/8"	1/2"	3/4"	1"
Filtering grade	40 μm or 5 μm								
Pressure range	Semi-auto and automatic drain :0.15~0.9MPa(20~130Psi)								
	Manual drain: 0.05~0.9MPa(7~130Psi)								
Proof pressure	1.5 MPa(215Psi)								
Temperature range	-20~70°C								
Capacity of drain bowl	10CC		40CC			80CC		230CC	
Weight	220g		500g			1030g		2400g	

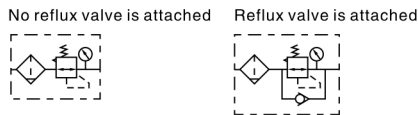
### Ordering code

**GFR200 — 08 — M — L — □ — □ — F — 1 — W — T — K**

- Drain type**
  - Blank: Semi-auto drain
  - M: Manual drain
  - A: Automatic drain ①
- Pressure gauge**
  - Blank: Pressure gauge
  - N: No pressure gauge
- Filtering grade**
  - Blank: 40 μm
  - W: 5 μm
- Thread**
  - T: NPT
  - G: G
- Model**
  - GFR200: G200 Series filter-regulator
  - GFR300: G300 Series filter-regulator
  - GFR400: G400 Series filter-regulator
  - GFR600: G600 Series filter-regulator
- Port size**
  - 06: 1/8"
  - 08: 1/4"
  - 08: 1/4"
  - 10: 3/8"
  - 15: 1/2"
  - 10: 3/8"
  - 15: 1/2"
  - 20: 3/4"
  - 25: 1"
- Accessories**
  - Blank: Bracket
  - J: No bracket
- Type code**
  - Blank: Standard
  - L: Lower pressure ②
- Pressure gauge shape**
  - F: Square
  - C: Circular
- Scale**
  - 1: MPa
  - 2: psi
  - 3: bar
- Code of reflux valve**
  - Blank: No reflux valve is attached
  - K: Reflux valve is attached

① The function of automatic drain is not available for GFR200 series;  
② The maximum work pressure of lower pressure type is 0.4MPa(58psi).

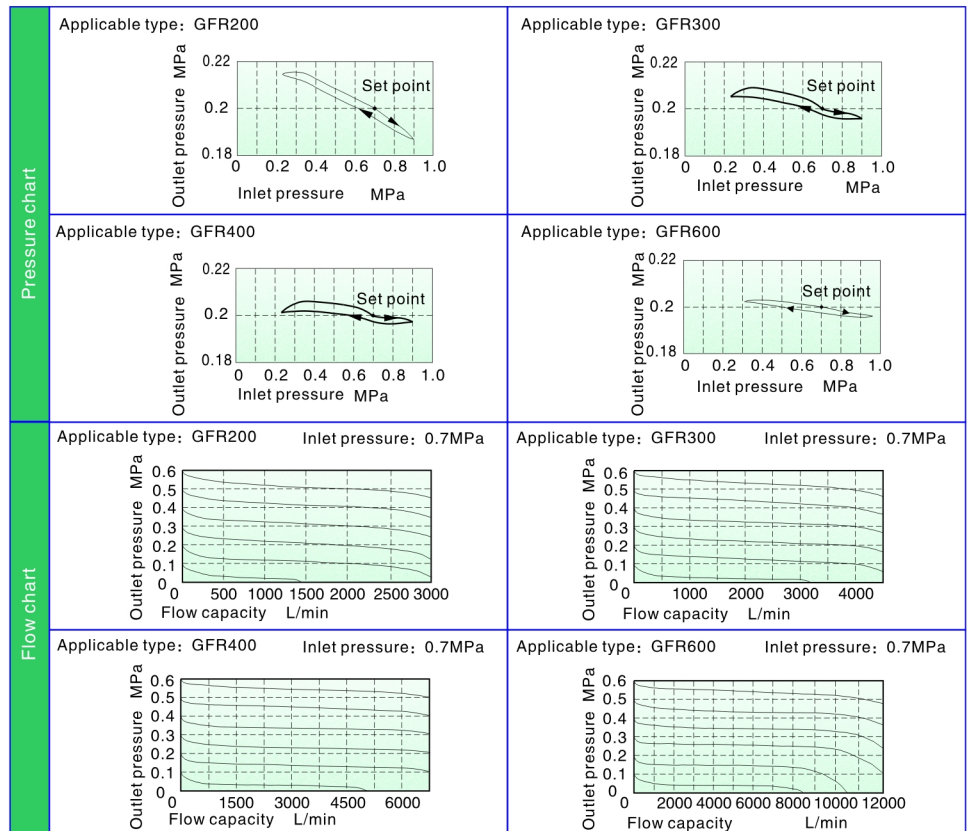
### Symbol



### Product feature

1. Embedded square pressure gauge is used to save installation space. (External circular pressure gauge is also optional.)
2. The pressed-in self-locking mechanism can prevent the abnormal movement of the set pressure caused by external interfere;
3. Balanced design is adopted for the pressure adjustment mechanism.
4. In addition to standard type, lower pressure type is optional (The highest adjustable pressure is 0.4MPa);
5. Unique diversion structure makes air flowing through properly rotate, which can more effectively separate the liquid from gas and reliably filter the solid grain;
6. The filtering grade includes 5 μm and 40 μm (optional);
7. Three drain types are available: manual drain, semi-auto drain and automatic drain.
8. The bracket can be selected for installation.

### Pressure and feature of flow



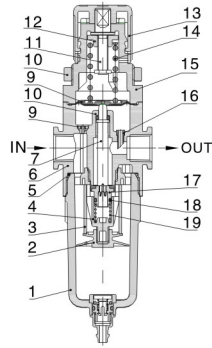
# Preparation unit—Filter & regulator

## GFR Series

### Inner structure and material of major parts

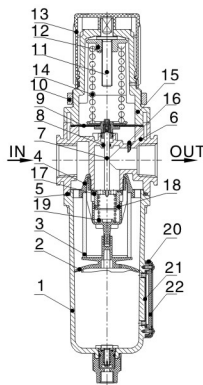
### Selection of drain mode

#### GFR200



Semi-Auto drain

#### GFR600



Semi-Auto drain

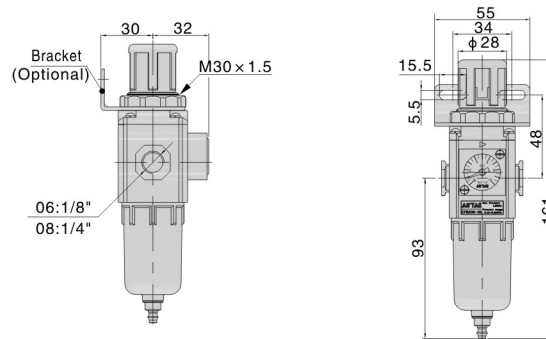
G200		G300	G400	G600
Manual drain	Semi-auto drain	Manual drain	Semi-auto drain	Automatic drain
PU tube with an inner diameter of $\phi 5$ or $\phi 5.5$ mm is recommended		G300:G1/8 G400\600:G1/4	G300:G1/8 G400\600:G1/4	G300:G1/8 G400\600:G1/4



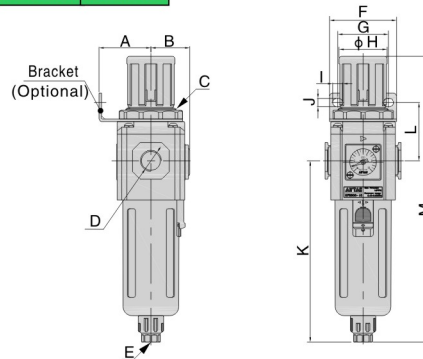
GFR

### Dimensions

#### GFR200



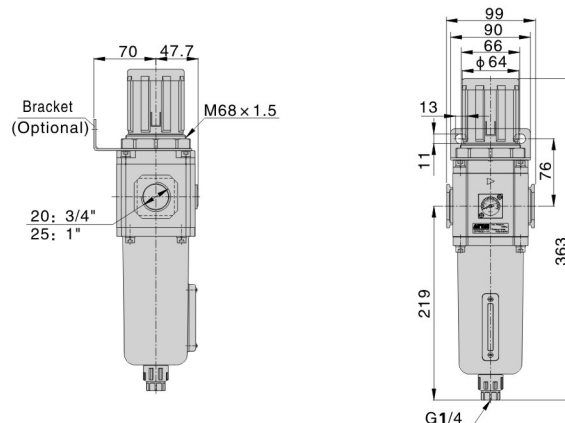
#### GFR300 GFR400



Model\Item	A	B	C	D	E	F
GFR300-08	41	31	M40 x 1.5	1/4"	G1/8	53
GFR300-10	41	31	M40 x 1.5	3/8"	G1/8	53
GFR300-15	41	31	M40 x 1.5	1/2"	G1/8	53
GFR400-10	50	40	M55 x 2.0	3/8"	G1/4	72
GFR400-15	50	40	M55 x 2.0	1/2"	G1/4	72

Model\Item	G	H	I	J	K	L	M
GFR300-08	40	38	8	6.5	143	46	225.5
GFR300-10	40	38	8	6.5	143	46	225.5
GFR300-15	40	38	8	6.5	143	46	225.5
GFR400-10	52	52	11	8.5	166.5	53	270.5
GFR400-15	52	52	11	8.5	166.5	53	270.5

#### GFR600



NO	Item	Material
1	Drain bowl	Aluminum alloy (GFR600) PC(Other)
2	Umbrella baffle	High viscosity POM
3	Filter core	Agglomerated by bronze grain(40 $\mu$ m) Agglomerated by bronze grain(GFR600) Makrolon fiber: (5 $\mu$ m)
4	Air guider	High viscosity POM
5	O-ring	NBR
6	Body of filter & regulator	Aluminum alloy
7	Adjusting spool	Brass(GFR600)\POM(other)
8	O-ring	NBR
9	Diaphragm	SUS304 & Rubber
10	Fixation ring cap	Aluminum alloy (GFR600) \PC(Other)
11	Adjusting spindle	Steel
12	Regulator nut	Steel
13	Pressure knob	POM
14	Spring	SWC
15	Adjusting Seat	Aluminum alloy (GFR600)\PC(Other)
16	Feedback tube	POM
17	Adjusting plug	Brass & Rubber
18	O-ring	NBR
19	Spring	SUS304
20	Liquid meter cover	SPCC
21	Liquid meter seal	VITON
22	Liquid meter inside cover	PC